



CONSERVATORY  
**FLEXIBLE USE – FOR LARGE AND SPECIAL  
CONSERVATORY SHAPES**



# TARGA PS6000




Self-supporting boxes




Adjustable guide rails

- Self-supporting box construction
- Continuous protection up to 23' in width
- High fabric tension thanks to integrated gas springs
- Can be closed at the sides making it aesthetically pleasing
- Cable/plug built into the side cover
- Different types of fixing brackets allow easy and flexible installation on the conservatory
- Guide rails are arranged flexibly and can be moved inwards up to 3' 3"

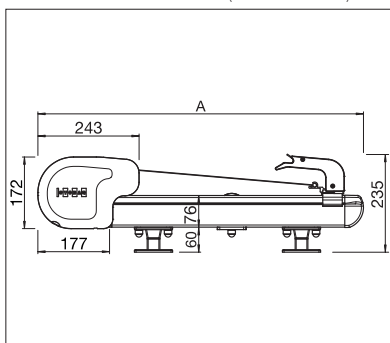
## PS6000

 min. 3' 3"  
 max. 19' 8"/23'

 min. 3' 7"  
 max. 19' 8"/23'



Technical dimensions in millimetres (1 mm = 0.03937")



PS6000 Side view



## COLORS

Discover the diverse options when selecting frame colors.



## FABRICS

Choose from a comprehensive range of materials and colors.



## ELECTRICS

More convenience thanks to the automated control.