

SELECT



BALCONY & TERRACE
**RIGID, COMPACT AND MULTI-PURPOSE
3-EDGE BACK BAR AWNING**



SELECT S8130 | S8133 PLUS | S8135 OMBRAMATIC



Drop down valance



- Extremely stable due to triangular back bar technology
- Various mounting options to the wall, below the ceiling or to the frames
- Variable bracket positioning
- Angle can be adjusted manually up to 60° (S8135)
- Projection can be greater than its width (S8133)
- The incline angle corresponds to the optional adjustable cover board
- Optional valance provides additional shade and hides the awning arms from view
- Optional drop down valance: Acrylic cover to max. 3' 11" and Soltis 86/Soltis 92 to max. 5' 7" high. Improved manual crank for easy drop down thanks to the floating system (floating roller) (S8130, S8133, S8135)

S8130

 min. 5' 7"
 max. 23'

 min. 4' 7"
 max. 11' 6"



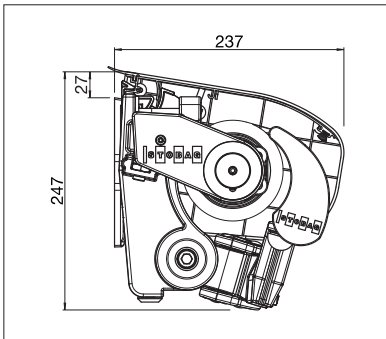
The wind resistance class can vary depending on version and dimension.



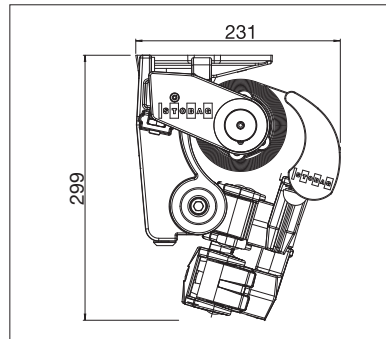
to max. 19' 8" wide



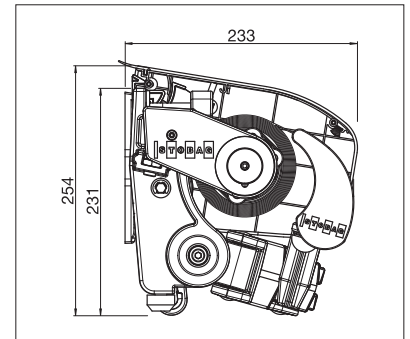
Technical dimensions in millimetres (1 mm = 0.03937")



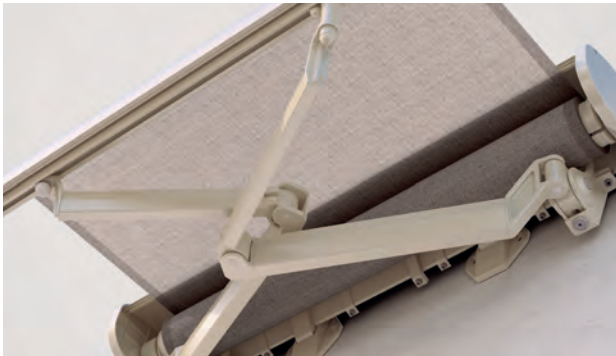
S8130 Wall installation with top board



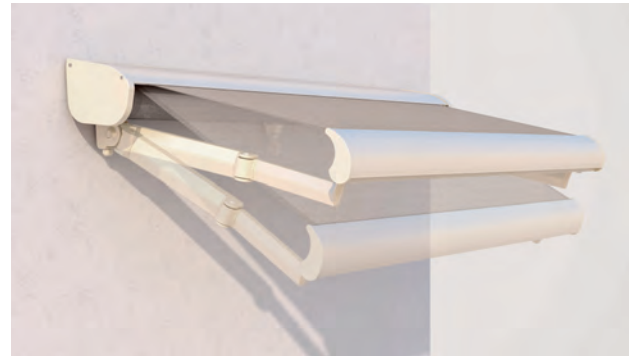
S8133 Top installation



S8135 Wall installation



S8133 Crossover arm



S8135 OMBRAMATIC manually adjustable incline

S8133 PLUS



min. 3' 9"
max. 23'



min. 4' 11"
max. 11' 6"*

*with drop down valance to max. 8' 2" projection



The wind resistance class can vary depending on version and dimension.



S8135 OMBRAMATIC



min. 5' 7"
max. 19' 8"



min. 4' 7"
max. 11' 6"*

*with drop down valance to max. 9' 10" projection



The wind resistance class can vary depending on version and dimension.



Without top board



With top board



COLORS

Discover the diverse options when selecting frame colors.



FABRICS

Choose from a comprehensive range of materials and colors.



ELECTRICS

More convenience thanks to the automated control.



**ENJOY SUMMER
IN COOLING SHADE**