

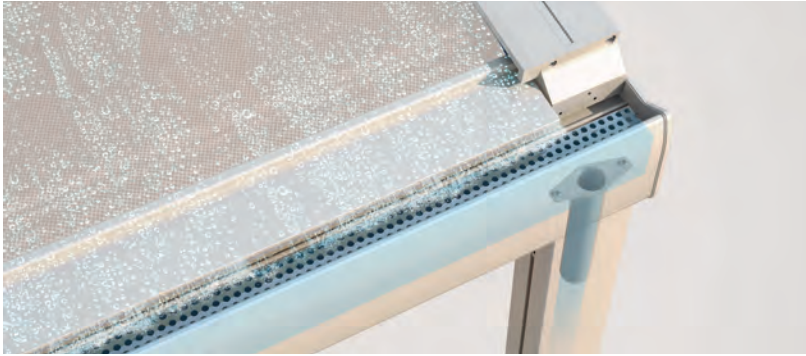
# RIVERA



PERGOLA & PAVILLON  
**FOR STURDY PERGOLA AWNINGS  
WITH LARGE PROJECTIONS**



# RIVERA P5000



Rain run-off

- Up to 23' projection possible
- Rainproof thanks to stable, dirt-repellent polyester fabric
- Integrated water run-off
- Very stable even at high wind speed – highest class in accordance with awning standards
- Adjustable roof incline 8° to 25°
- Optional lateral shading as privacy, glare and wind protection



min. 6' 7"  
max. 16' 5"\*



min. 6' 7"  
max. 23' 0"



Post height  
max. 9' 10"\*\*\*

\*from 16' 5" coupled

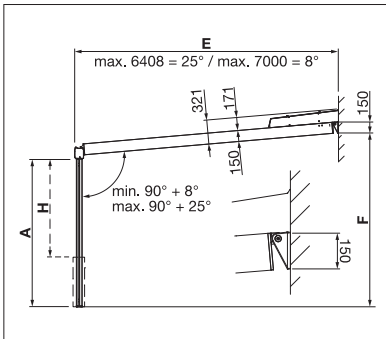
\*\*from 8' 2" high corner reinforcement P850 required



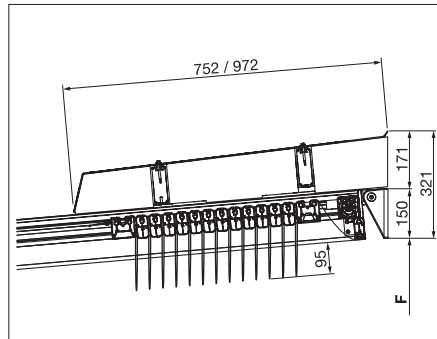
The wind resistance class can vary depending on version and dimension.



Technical dimensions in millimetres (1 mm = 0.03937")



Wall installation



Cover board

width of steel sheet 2' 6" with a projection < 13' 1"  
3' 2" for projection = > 13' 1"





Fabric in lateral guide



Coupled systems



### COLORS

Discover the diverse options when selecting frame colors.



### FABRICS

Choose from a comprehensive range of materials and colors.



### ELECTRICS

More convenience thanks to the automated control.



**ENJOY THE TERRACE –  
IN ANY WEATHER**