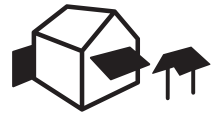




BALCONY & TERRACE
**BOX AWNINGS FOR OVER
753 FT² OF SHADING**



RESOBOX BX8000



Patented box connection



Drop down valance



Roller tube blind

- Box awnings for large terraces to 59' 1" total width and 13' 1" projection
- Patented, modular box connection system ensures optimum stability
- Flexible bracket positioning
- Awning incline adjustable from 0° to 40°
- Stylish and extremely robust folding arms
- Optional cover to hide cover roller shaft
- Optional Drop down valance: Acrylic cover to max. 3' 11" and Soltis 86/Soltis 92 to max. 5' 7" high. Manual crank mechanism for easy handling thanks to the floating system (floating roller)



min. 6' 7"
max. 59' 1"*



min. 4' 11"
max. 13' 1"

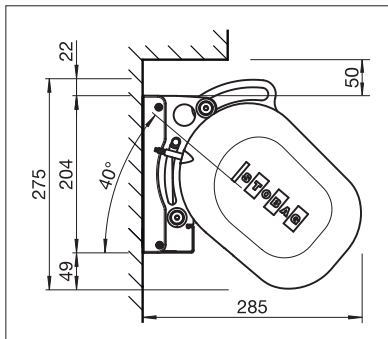
* with Drop down valance to max. 45' 11" wide;
over 23' two-piece



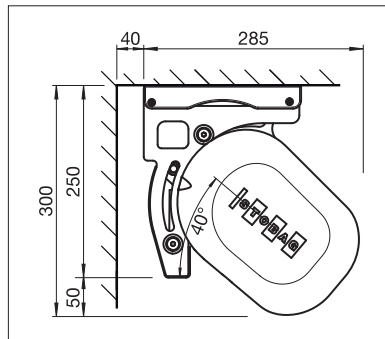
The wind resistance class can vary
depending on version and dimension.



Technical dimensions in millimetres (1 mm = 0.03937")



Wall installation



Top installation



COLORS

Discover the diverse options
when selecting frame colors.



FABRICS

Choose from a comprehensive
range of materials and colors.



ELECTRICS

More convenience thanks to
the automated control.