

JUMBO



BALCONY & TERRACE
SHADED AREAS COVER UP TO 650 FT²



JUMBO S2160/2



Telescopic arm technology

- Shading of large areas up to 650ft²
- Projection up to max. 16' 5"
- High rigidity and flexible bracket distribution thanks to 4-edge back bar
- Cover remains consistently taut and high thanks to telescopic arm technology
- Improved width / projection ratio
- Self-aligning bearings for the roller shaft guarantee optimum cover winding
- Awning incline adjustable from 5° to 22°
- Optional top board available
- Optional Valance provides additional shade and hides the awning arms from view



min. 13' 1"
max. 39' 4"*



min. 11' 6"
max. 16' 5"

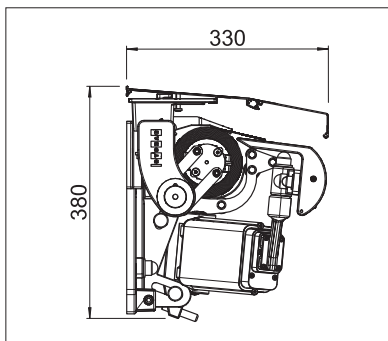
* on request



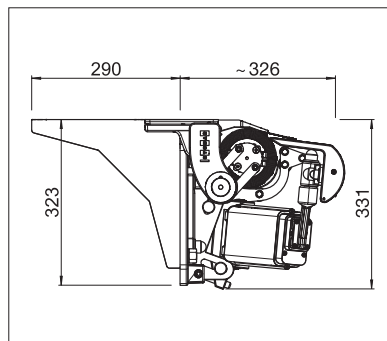
The wind resistance class can vary depending on version and dimension.



Technical dimensions in millimetres (1 mm = 0.03937")



Wall installation with top board



Ceiling mounting with ceiling bracket



COLORS

Discover the diverse options when selecting frame colors.



FABRICS

Choose from a comprehensive range of materials and colors.



ELECTRICS

More convenience thanks to the automated control.