



CAMABOX



BALCONY & TERRACE
CUBIC BOX AWNING



CAMABOX BX4000



Square design



Tilt joint

- Sealed box protects from the elements
- Modern, cubic design
- Various mounting options to the wall, below the ceiling or to the frames
- Variable bracket positioning
- Awning incline adjustable from 5° to 35°
- Integrated tilt joint

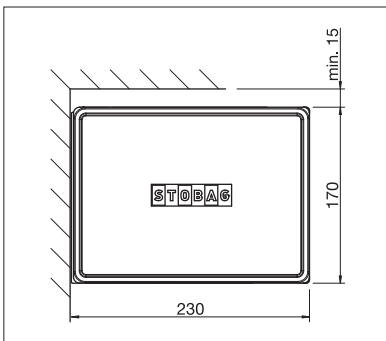
BX4000

 min. 7' 0"
max. 19' 8"

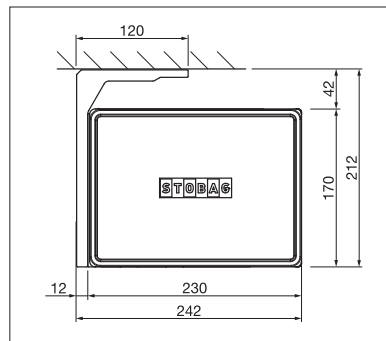
 min. 4' 11"
max. 9' 10"



Technical dimensions in millimetres (1 mm = 0.03937")



Wall installation



Top installation



COLORS

Discover the diverse options when selecting frame colors.



FABRICS

Choose from a comprehensive range of materials and colors.



ELECTRICS

More convenience thanks to the automated control.