

STOBAG VENTOSOL VS5200 / 2

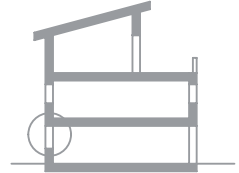
Vertical awning with zip lock system, Soffit installation

EINSTEIN FACADE DETAILED SECTION

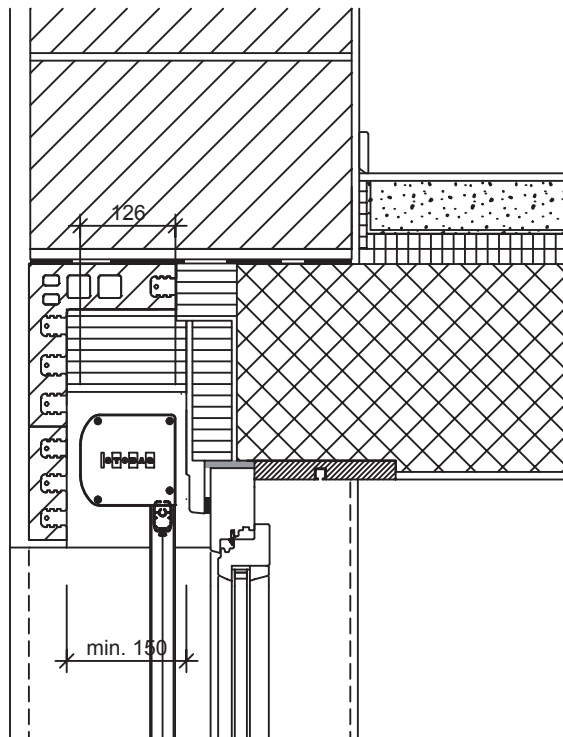
SCL. 1:10

PRODUCT VENTOSOL

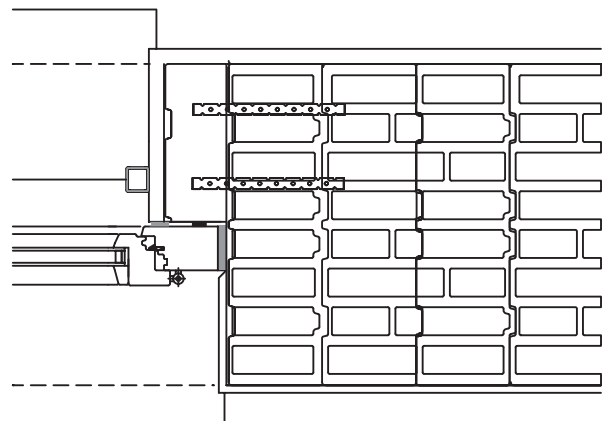
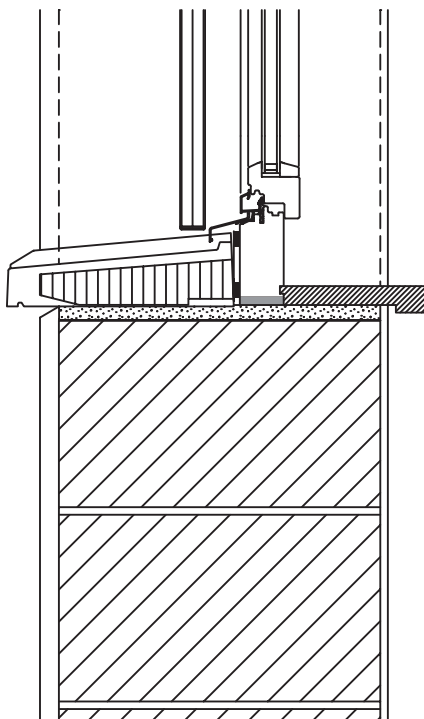
ISSUED AUGUST 2014 / FS



159 min. 30
38.5 120.5



min. 150



STOBAG VENTOSOL VS5200 / 2

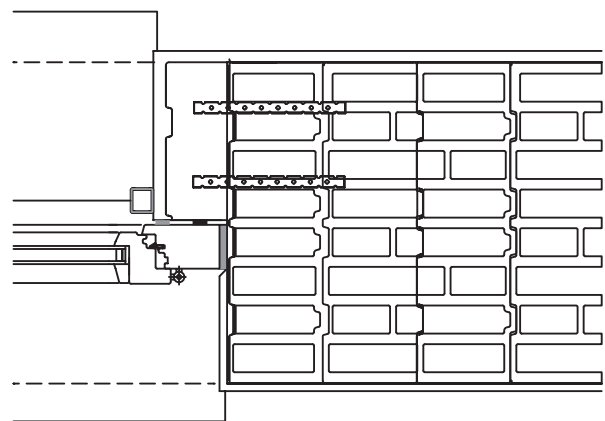
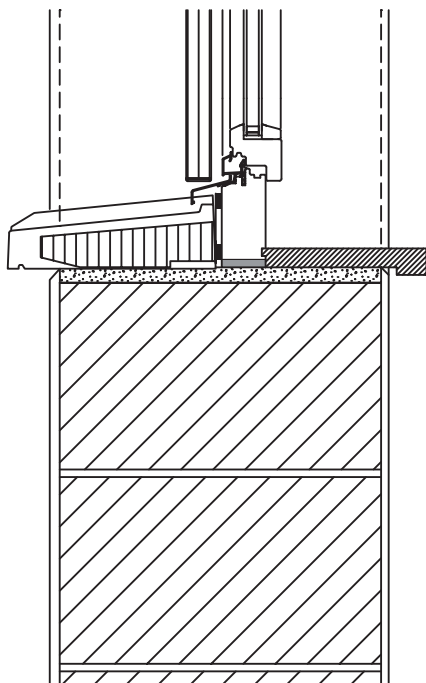
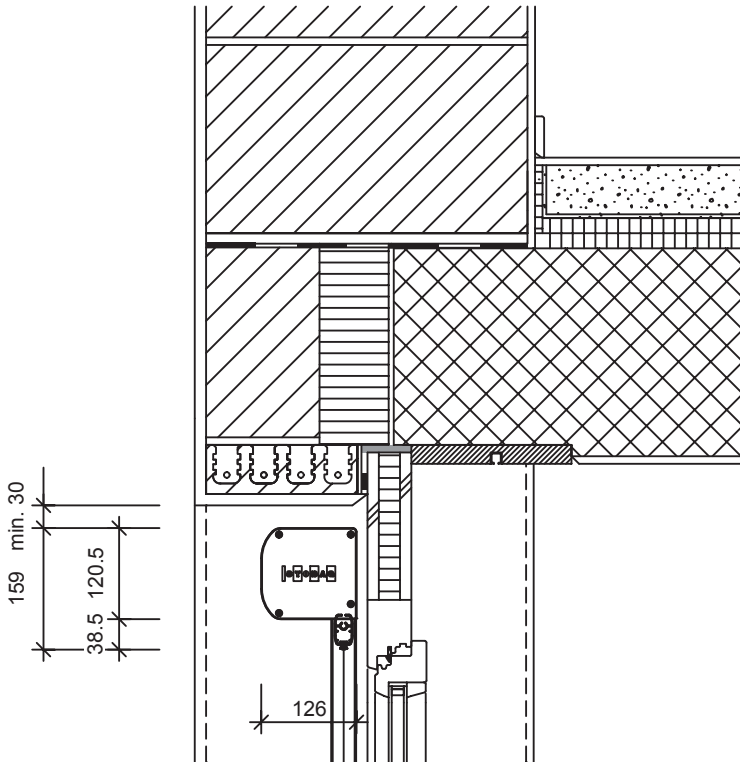
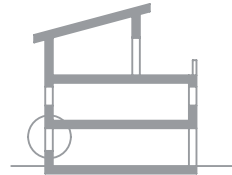
Vertical awning with zip lock system, Soffit installation

EINSTEIN FACADE DETAILED SECTION

SCL. 1:10

PRODUCT VENTOSOL

ISSUED AUGUST 2014 / FS

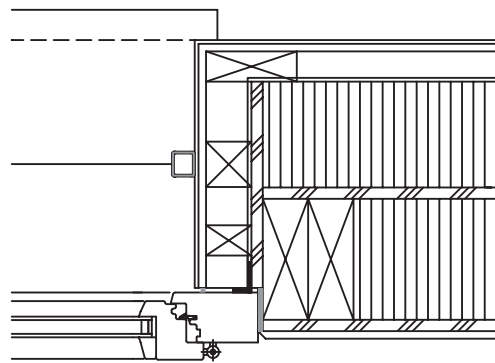
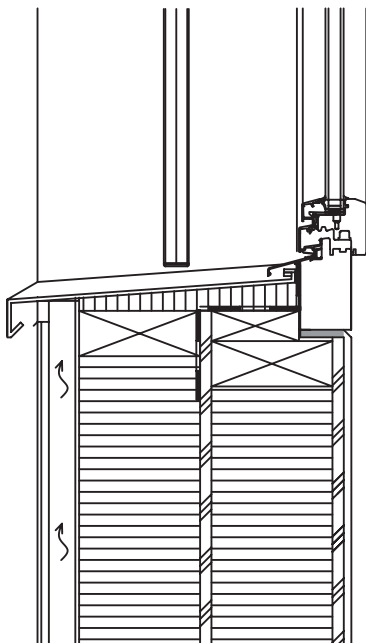
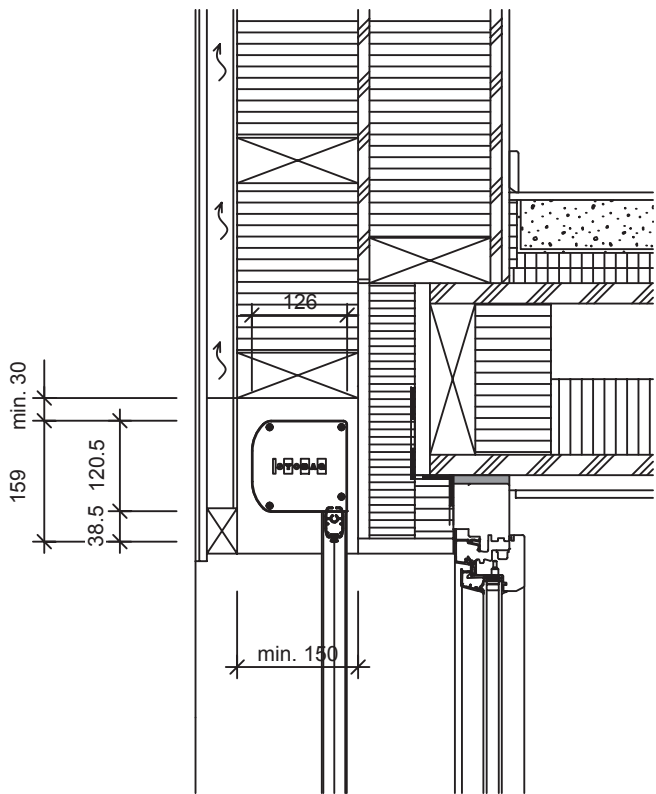
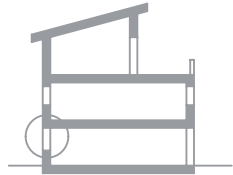


STOBAG VENTOSOL VS5200 / 2

Vertical awning with zip lock system, Soffit installation

SUPPORTED WOODEN FACADE DETAILED SECTION

SCL. 1:10
PRODUCT VENTOSOL
ISSUED AUGUST 2014 / FS

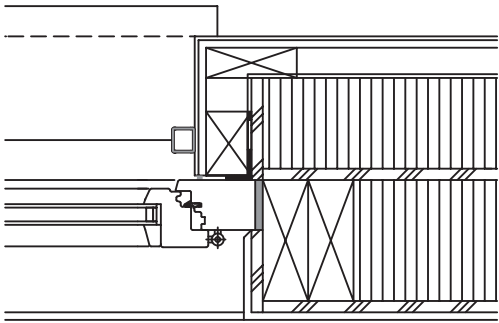
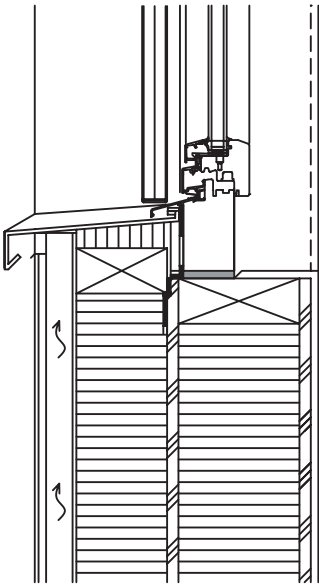
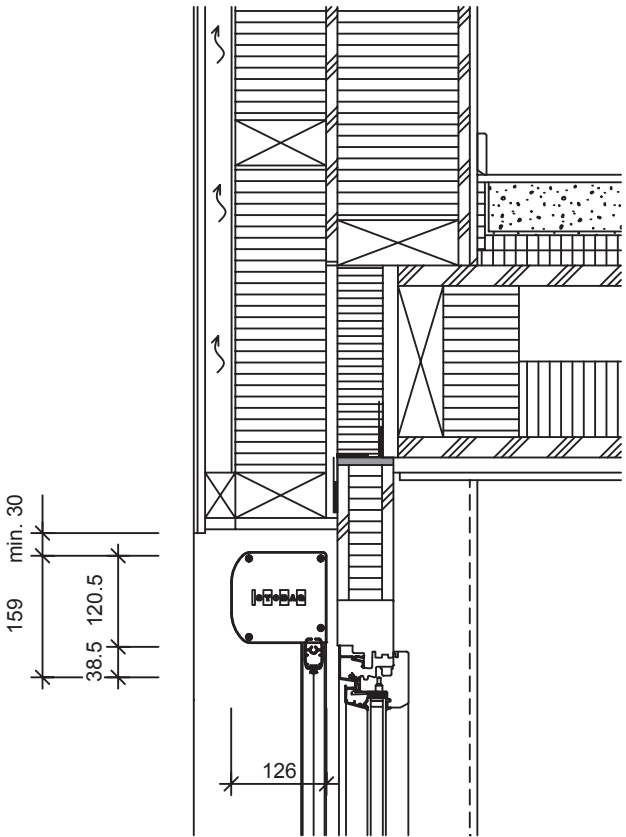
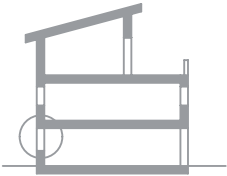


STOBAG VENTOSOL VS5200 / 2

Vertical awning with zip lock system, Soffit installation

SUPPORTED WOODEN FACADE DETAILED SECTION

SCL. 1:10
PRODUCT VENTOSOL
ISSUED AUGUST 2014 / FS



STOBAG VENTOSOL VS5200 / 2

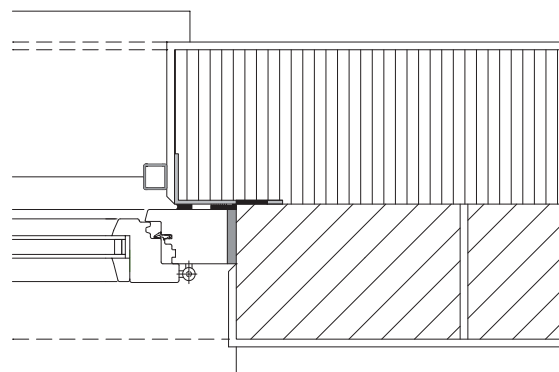
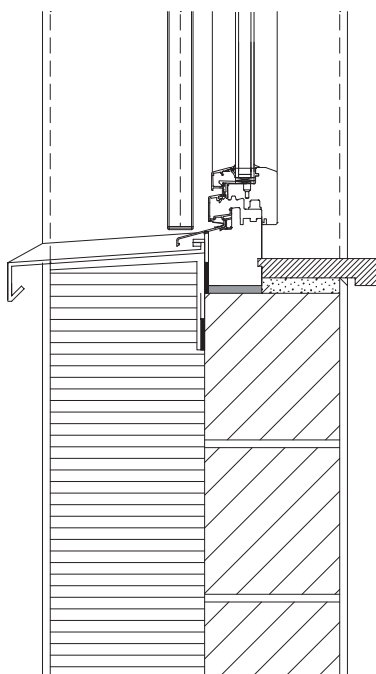
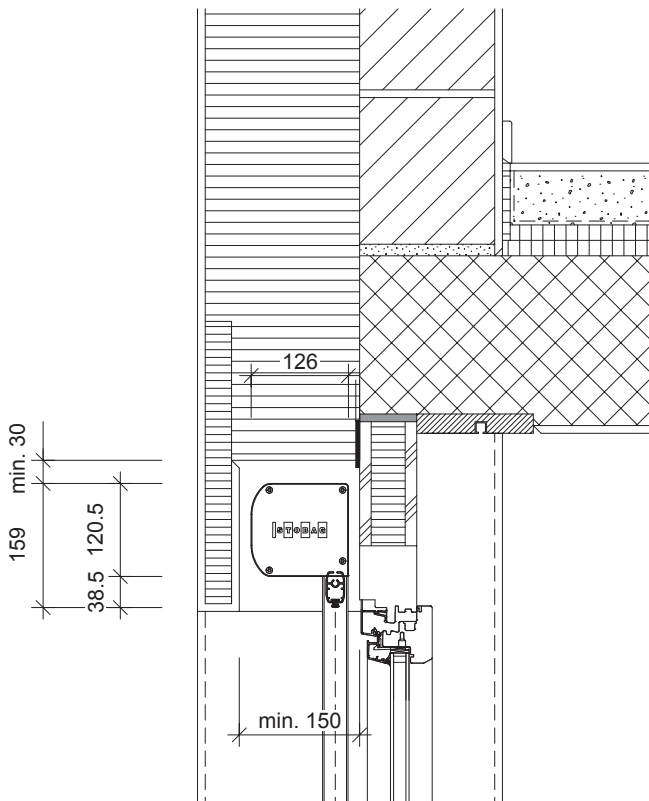
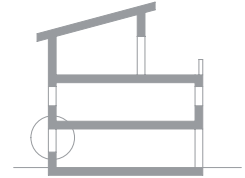
Vertical awning with zip lock system, Soffit installation

7 CAD57H: 57589'89H5 = @ 8 'G97HCB

SCL. 1:10

PRODUCT VENTOSOL

ISSUED AUGUST 2014 / FS



STOBAG VENTOSOL VS5200 / 2

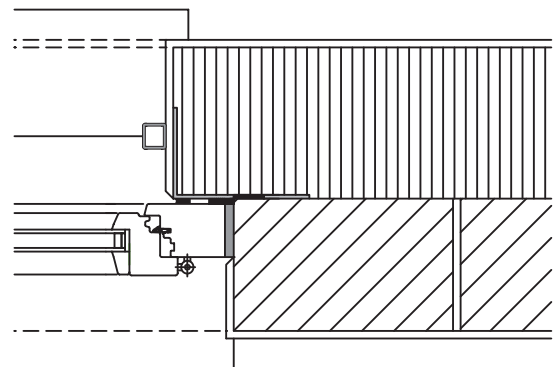
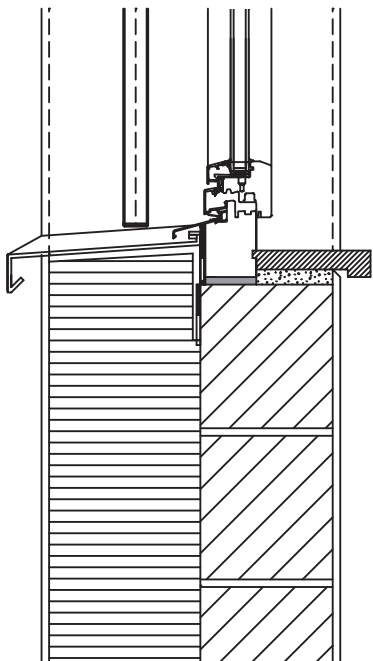
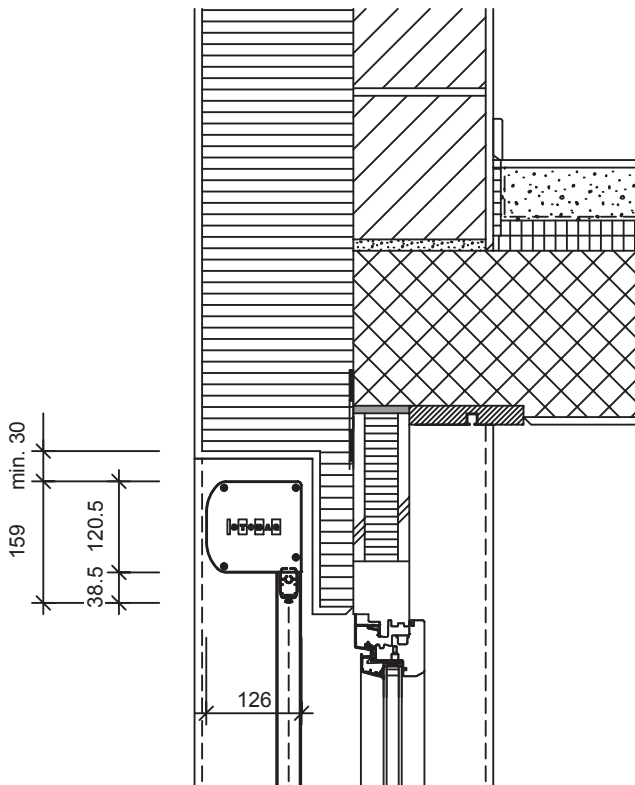
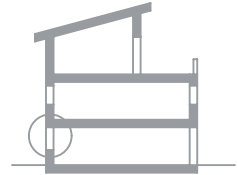
Vertical awning with zip lock system, Soffit installation

COMPACT FACADE DETAILED SECTION

SCL. 1:10

PRODUCT VENTOSOL

ISSUED AUGUST 2014 / FS

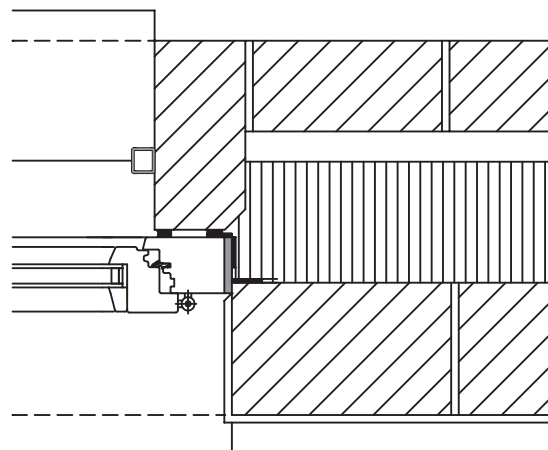
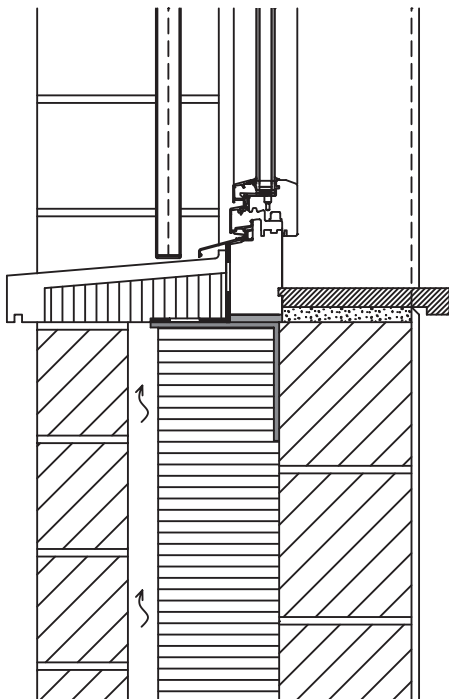
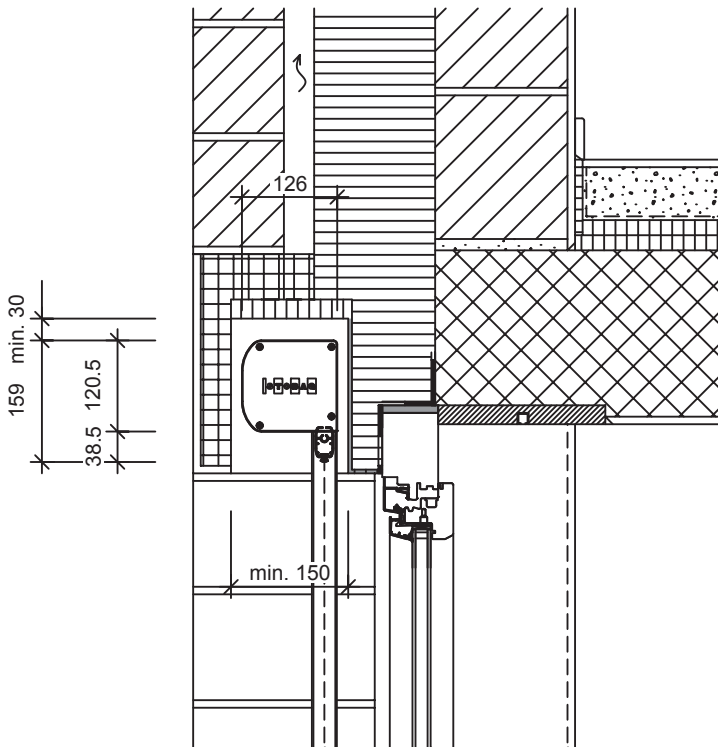
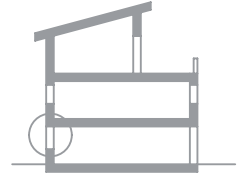


STOBAG VENTOSOL VS5200 / 2

Vertical awning with zip lock system, Soffit installation

EXPOSED BRICK MASONRY DETAILED SECTION

SCL. 1:10
PRODUCT VENTOSOL
ISSUED AUGUST 2014 / FS



STOBAG VENTOSOL VS5200 / 2

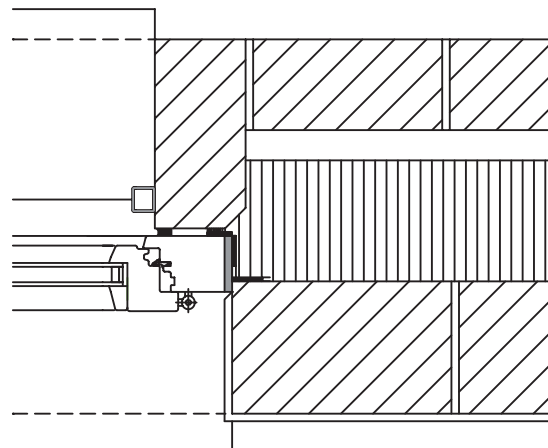
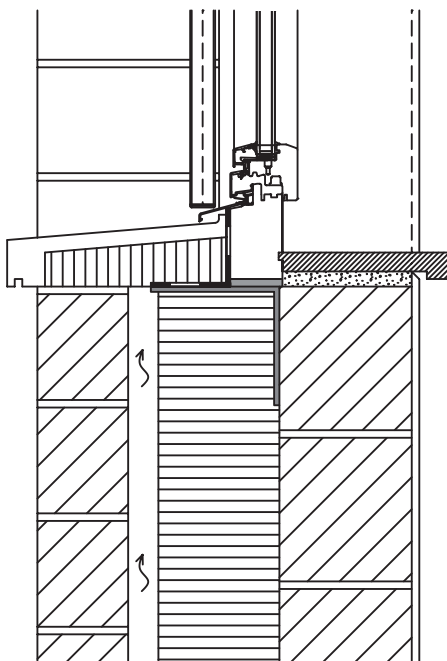
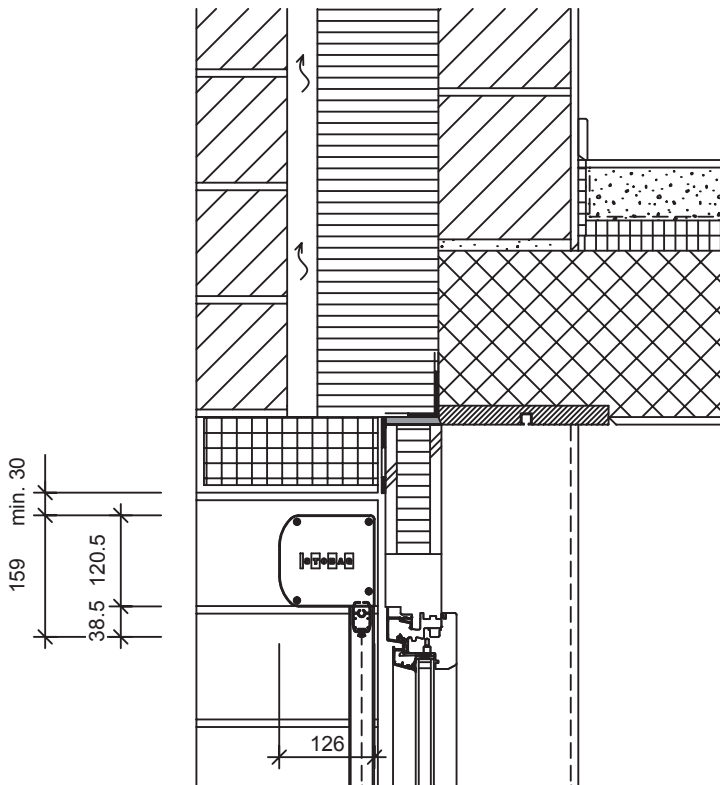
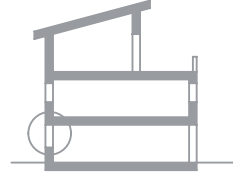
Vertical awning with zip lock system, Soffit installation

EXPOSED BRICK MASONRY DETAILED SECTION

SCL. 1:10

PRODUCT VENTOSOL

ISSUED AUGUST 2014 / FS

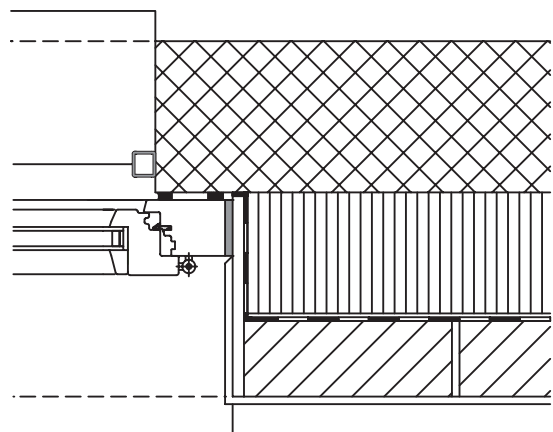
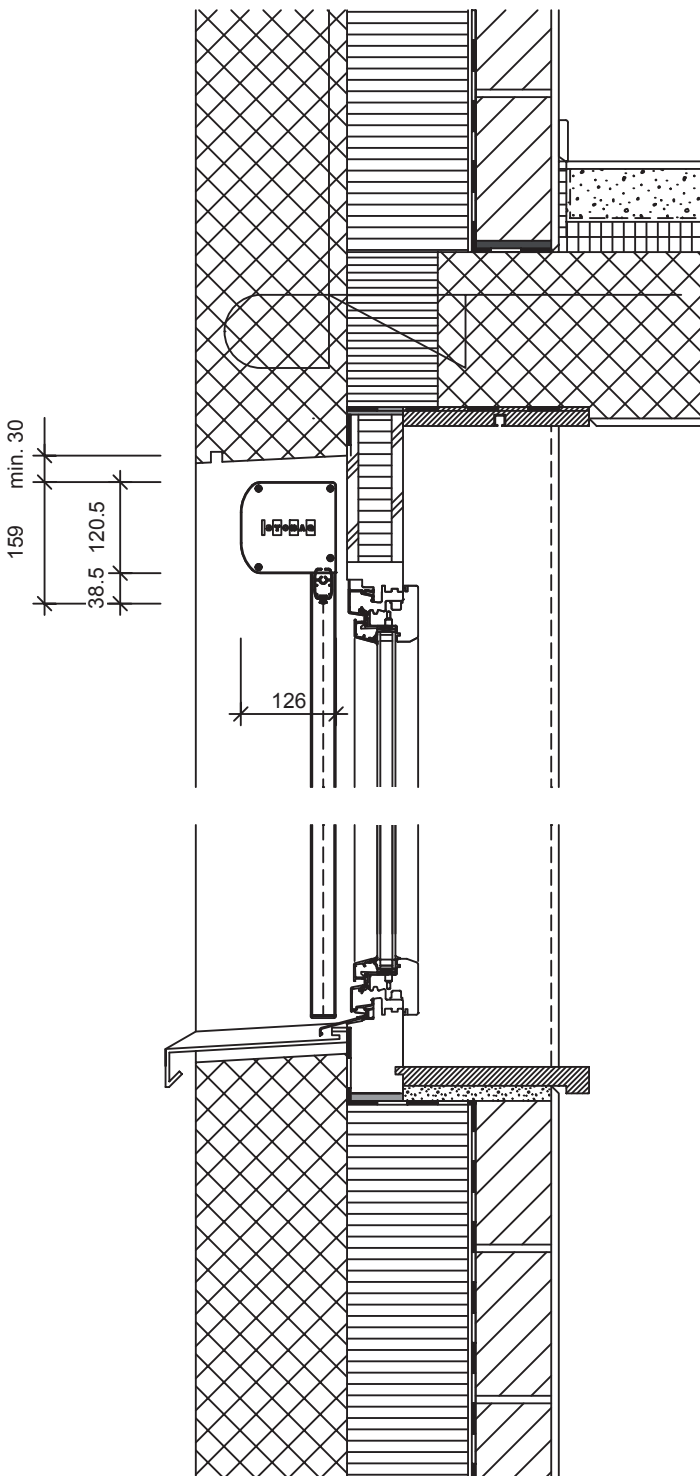
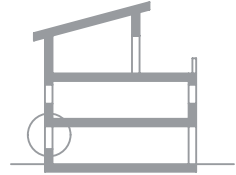


STOBAG VENTOSOL VS5200 / 2

Vertical awning with zip lock system, Soffit installation

EXPOSED CONCRETE DETAILED SECTION

SCL. 1:10
PRODUCT VENTOSOL
ISSUED AUGUST 2014 / FS



STOBAG VENTOSOL VS5400 / VD5400

Vertical awning with zip lock system, Soffit installation

EINSTEIN FACADE DETAILED SECTION

SCL.

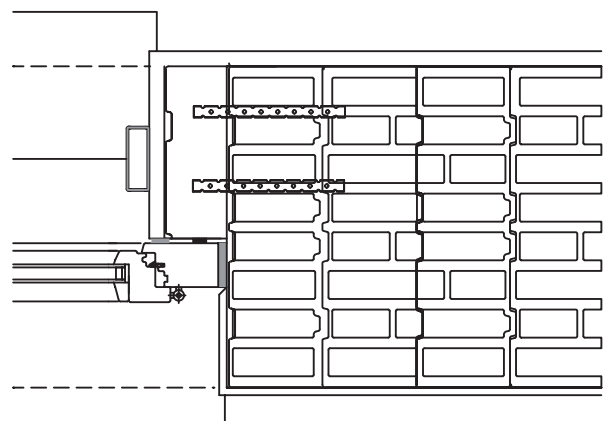
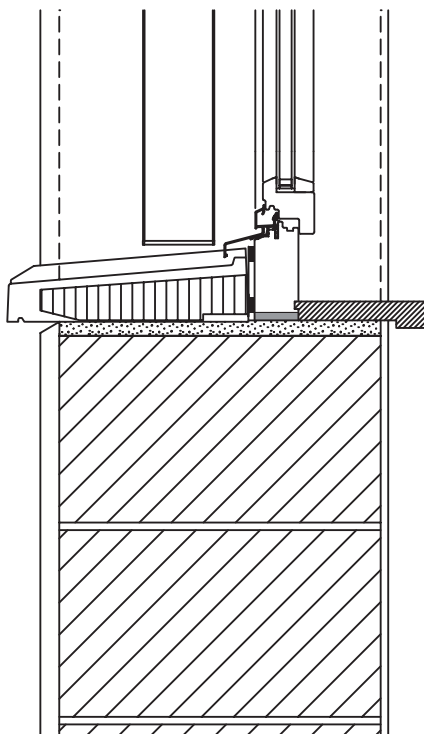
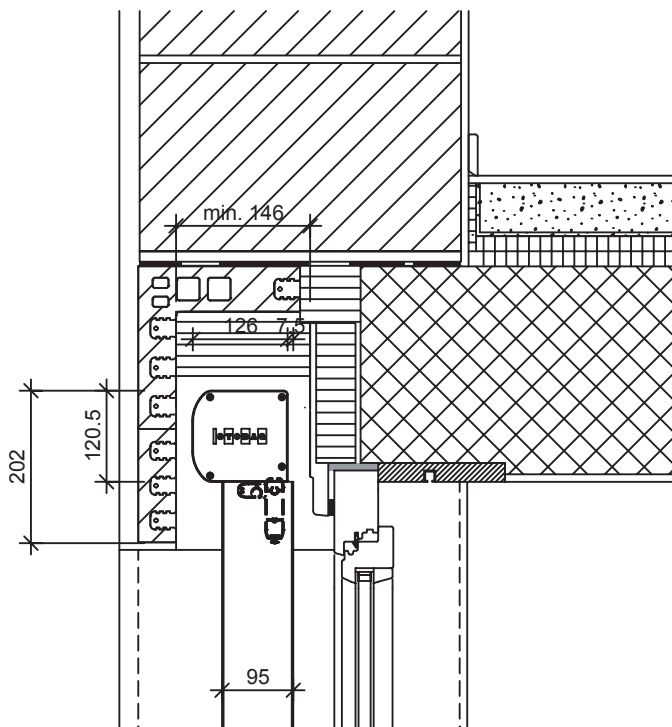
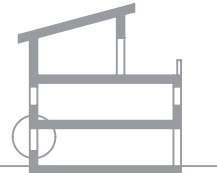
1:10

PRODUCT

VENTOSOL

ISSUED

MARCH 2015 / FS



STOBAG VENTOSOL VS5400 / VD5400

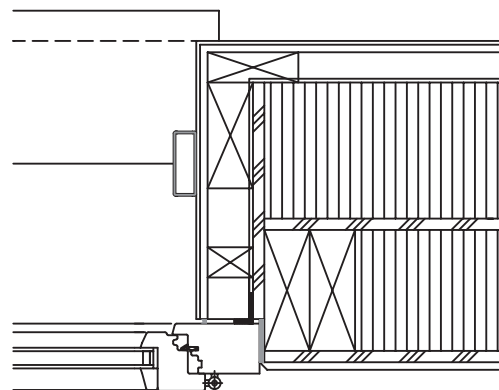
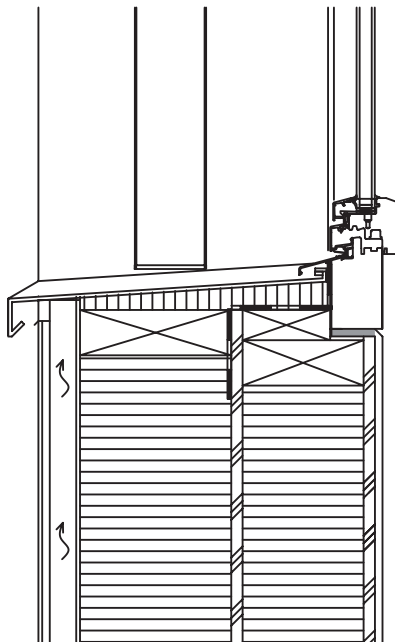
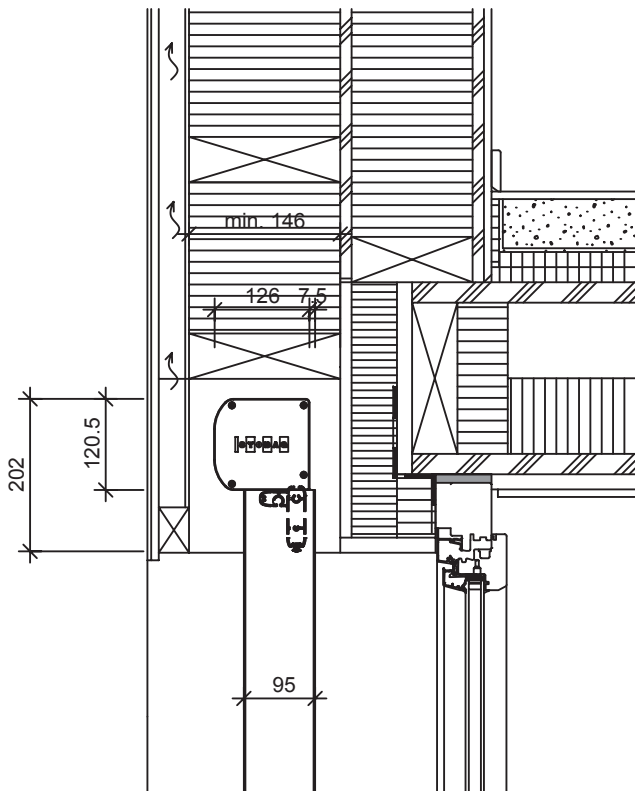
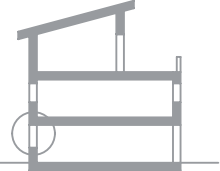
Vertical awning with zip lock system, Soffit installation

SUPPORTED WOODEN FACADE DETAILED SECTION

SCL. 1:10

PRODUCT VENTOSOL

ISSUED MARCH 2015 / FS



STOBAG VENTOSOL VS5400 / VD5400

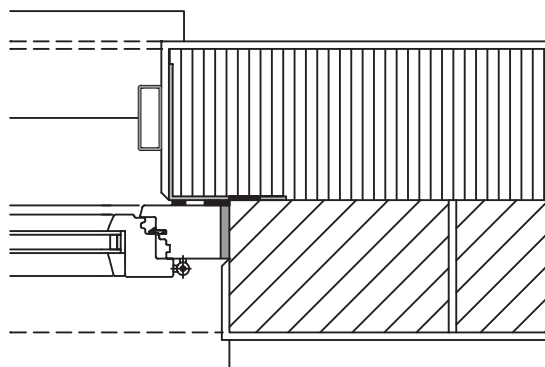
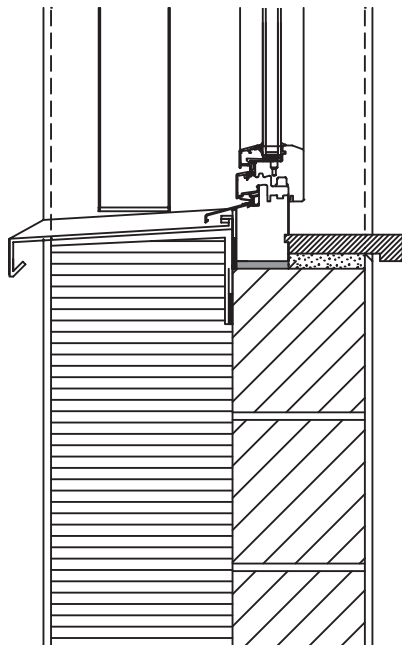
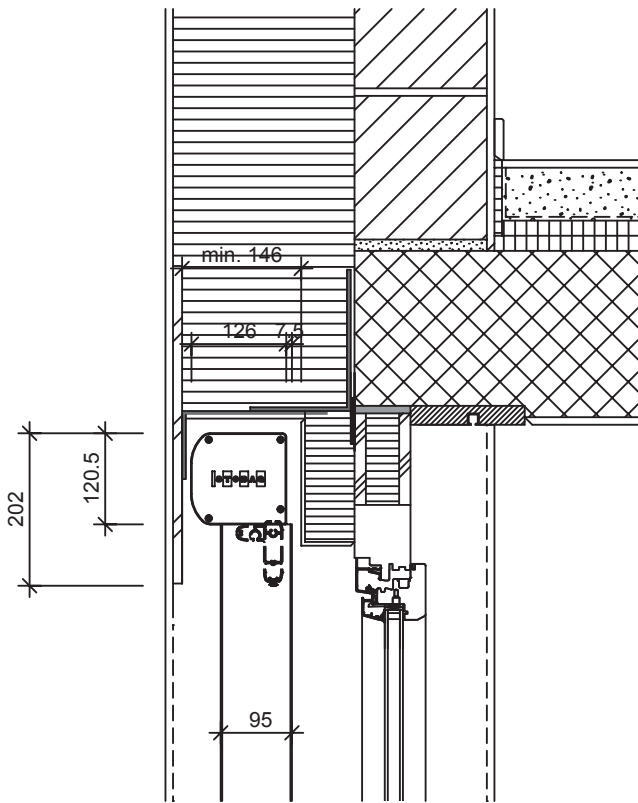
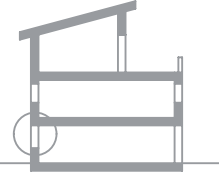
Vertical awning with zip lock system, Soffit installation

COMPACT FACADE DETAILED SECTION

SCL. 1:10

PRODUCT VENTOSOL

ISSUED MARCH 2015 / FS



STOBAG VENTOSOL VS5400 / VD5400

Vertical awning with zip lock system, Soffit installation

EXPOSED BRICK MASONRY DETAILED SECTION

SCL. 1:10

PRODUCT VENTOSOL

ISSUED MARCH 2015 / FS

