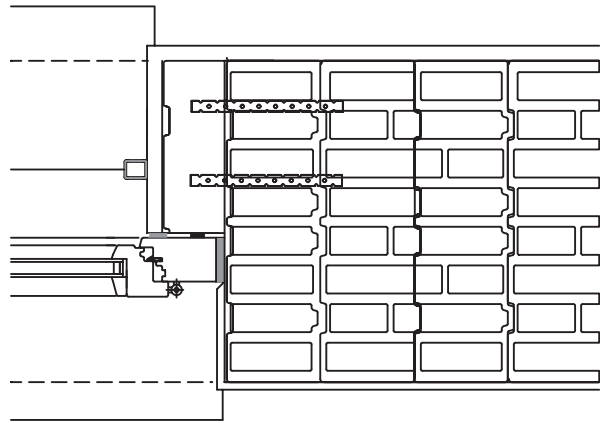
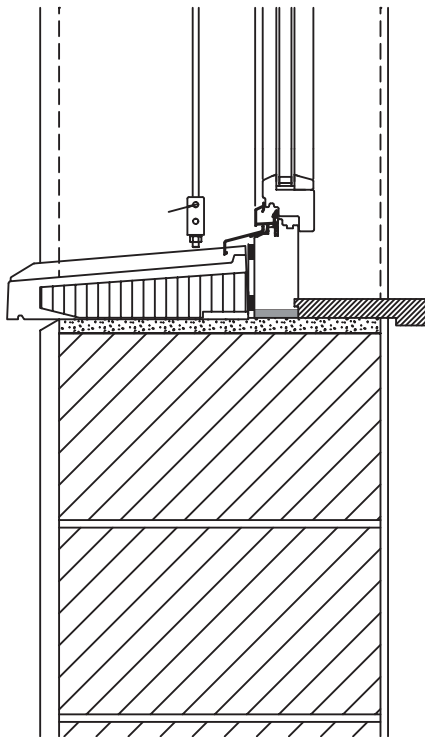
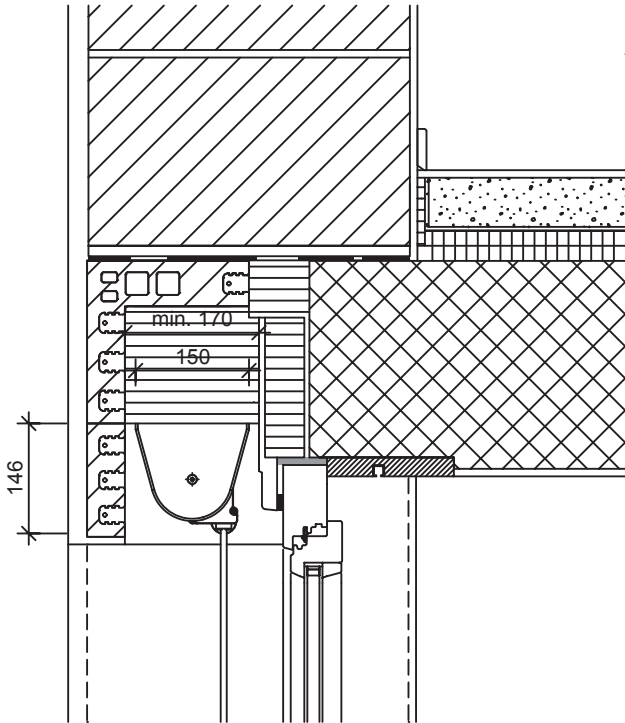
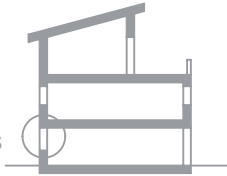


# STOBAG UNIVERSAL US3910

X:\cib\cib\... \*ÉÔ^ãã \*Á •cè|æã }

## EINSTEIN: 57589'89H5 = @ 8 'G97HCB

SCL. 1:10  
PRODUCT UNIVERSAL  
ISSUED MARCH 2015 / FS

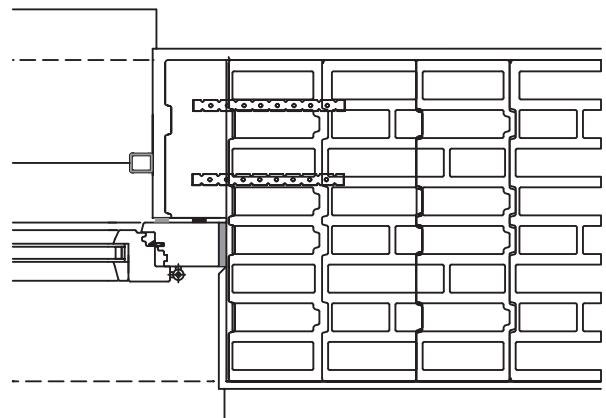
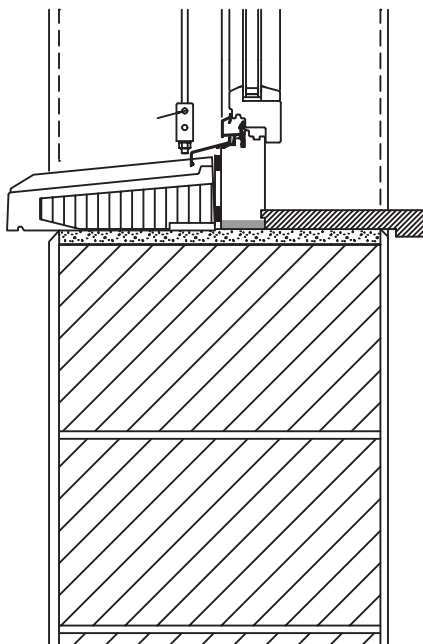
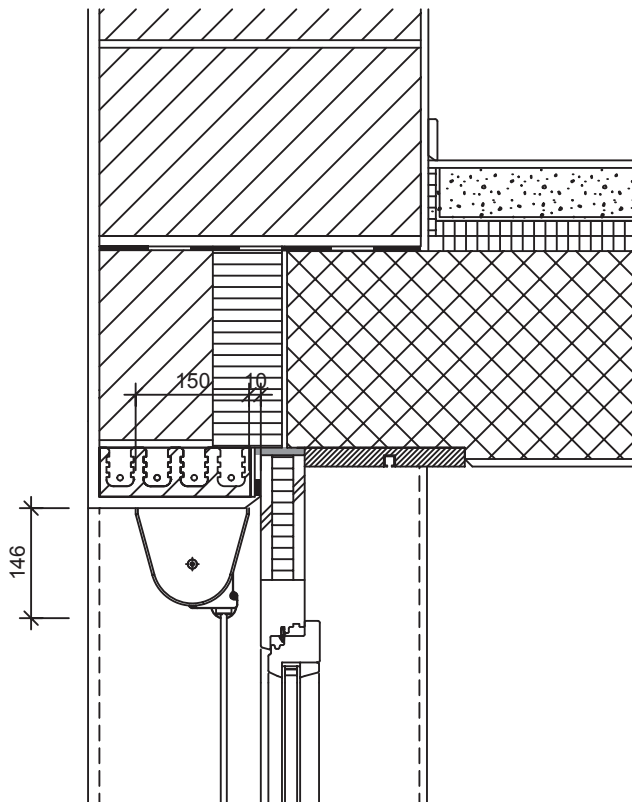
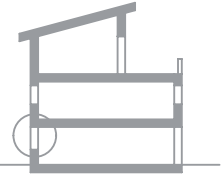


# STOBAG UNIVERSAL US3910

Vertical awning, Ceiling installation

## EINSTEIN FACADE DETAILED SECTION

SCL. 1:10  
PRODUCT UNIVERSAL  
ISSUED MARCH 2015 / FS



# STOBAG UNIVERSAL US3910

Vertical awning, Ceiling installation

## SUPPORTED WOODEN FACADE DETAILED SECTION

SCL.

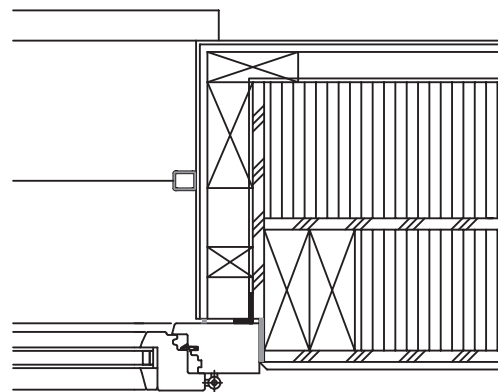
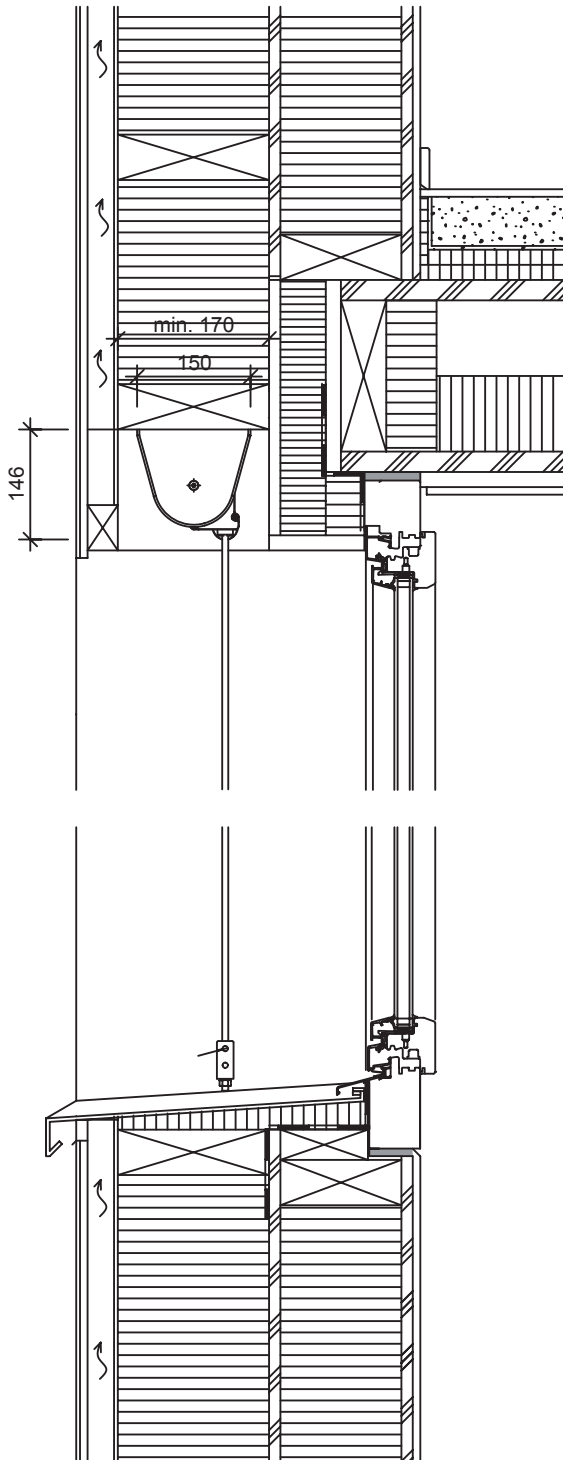
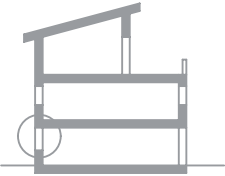
1:10

PRODUCT

UNIVERSAL

ISSUED

MARCH 2015 / FS



# STOBAG UNIVERSAL US3910

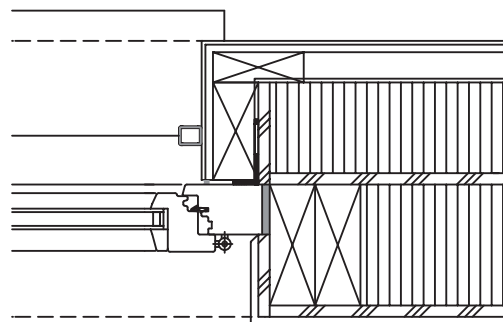
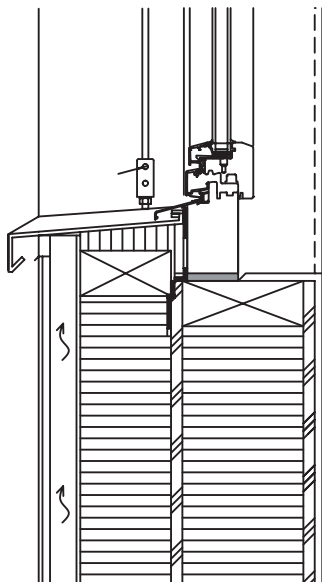
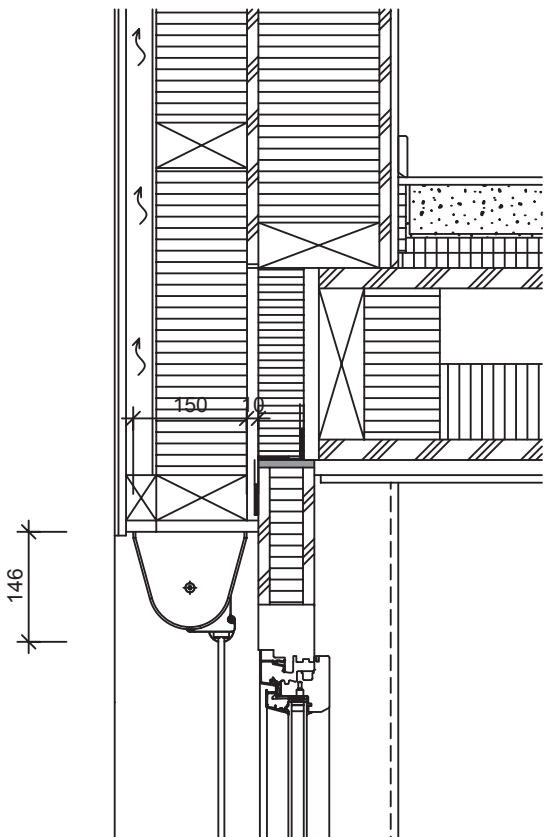
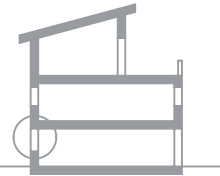
Vertical awning, Ceiling installation

## SUPPORTED WOODEN FACADE DETAILED SECTION

SCL. 1:10

PRODUCT UNIVERSAL

ISSUED MARCH 2015 / FS



# STOBAG UNIVERSAL US3910

Vertical awning, Ceiling installation

## COMPACT FACADE DETAILED SECTION

SCL.

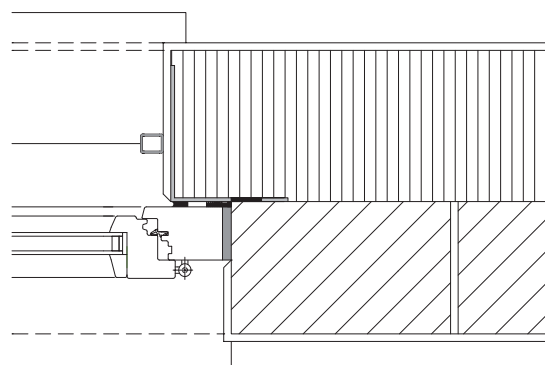
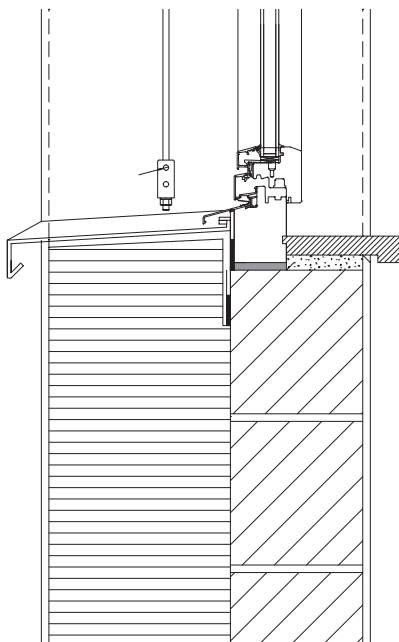
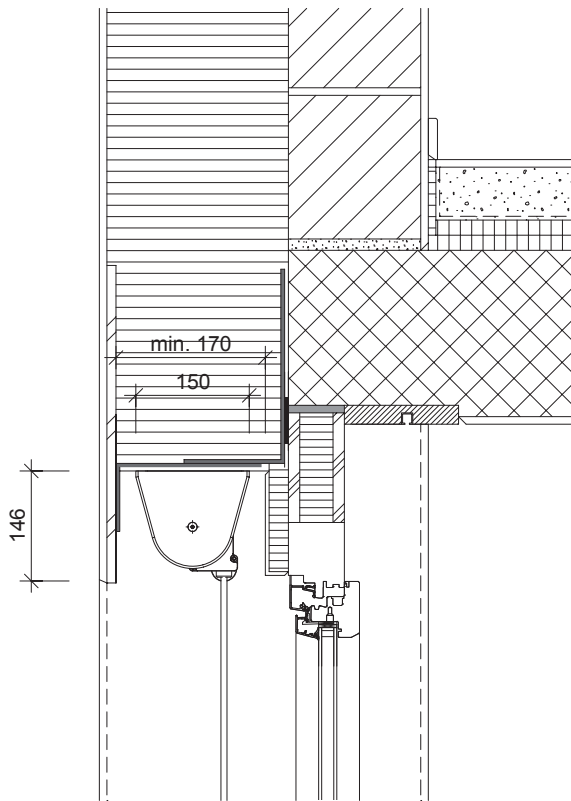
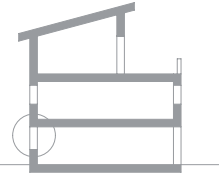
1:10

PRODUCT

UNIVERSAL

ISSUED

MARCH 2015 / FS



# STOBAG UNIVERSAL US3910

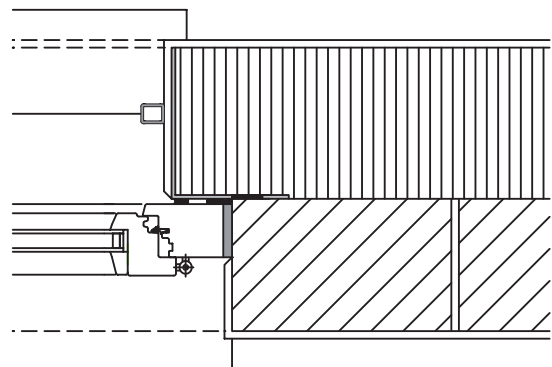
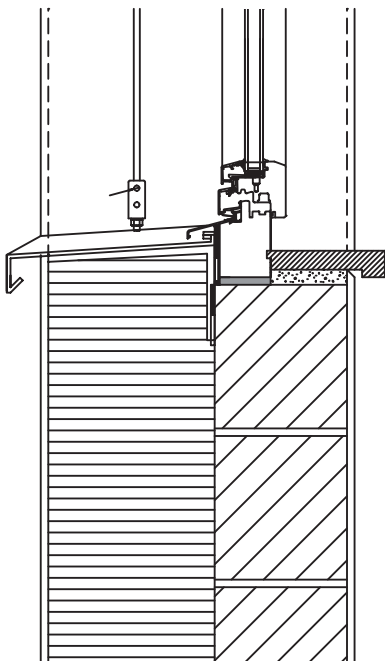
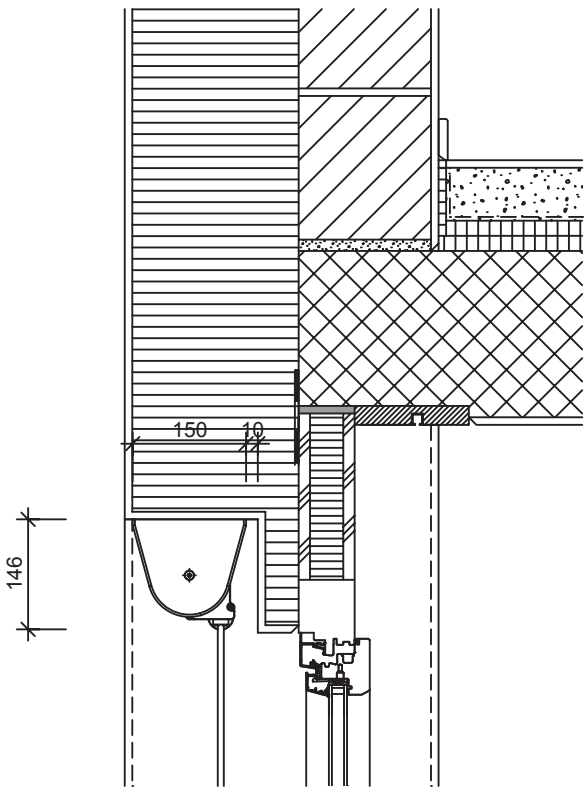
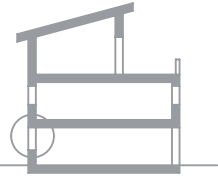
Vertical awning, Ceiling installation

## COMPACT FACADE DETAILED SECTION

SCL. 1:10

PRODUCT UNIVERSAL

ISSUED MARCH 2015 / FS



# STOBAG UNIVERSAL US3910

Vertical awning, Ceiling installation

## EXPOSED BRICK MASONRY DETAILED SECTION

SCL.

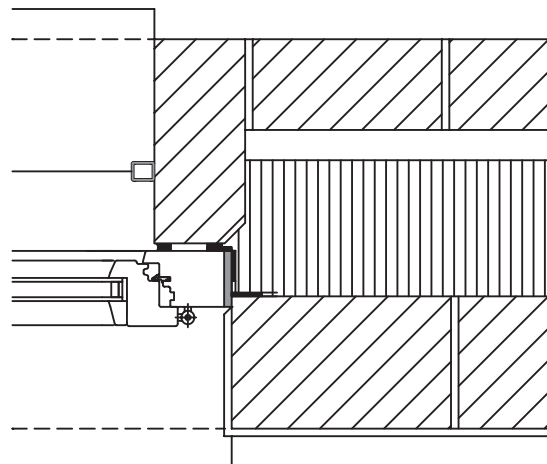
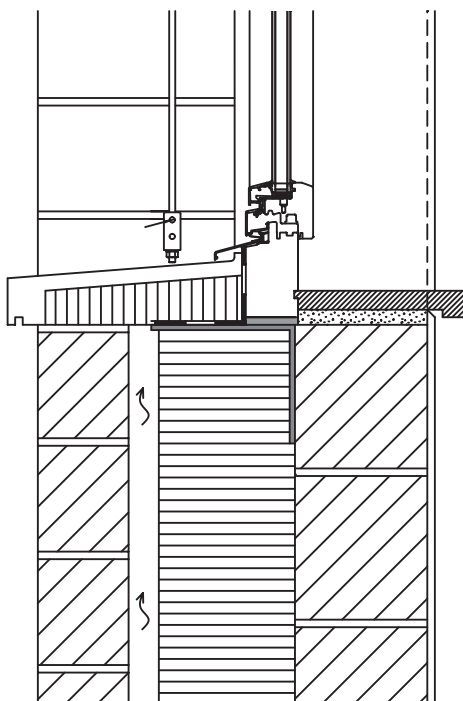
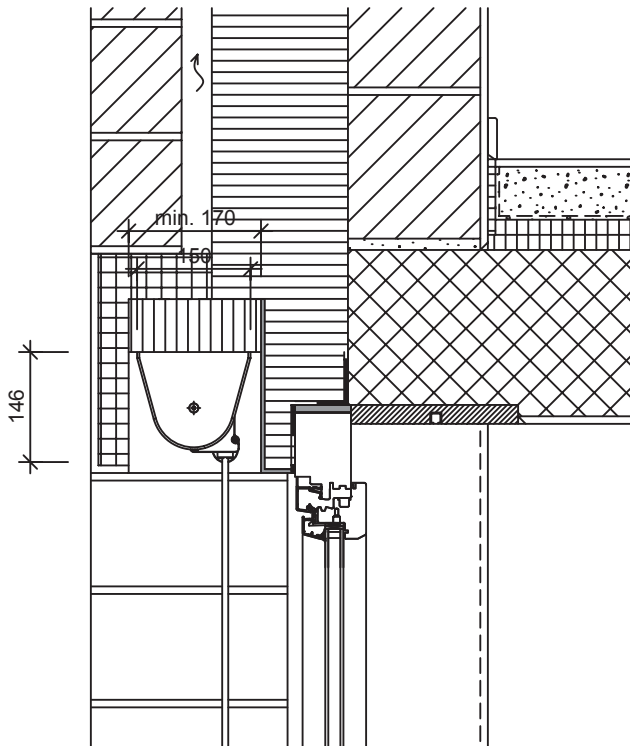
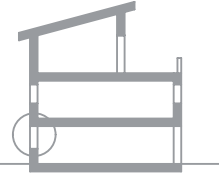
1:10

PRODUCT

UNIVERSAL

ISSUED

MARCH 2015 / FS

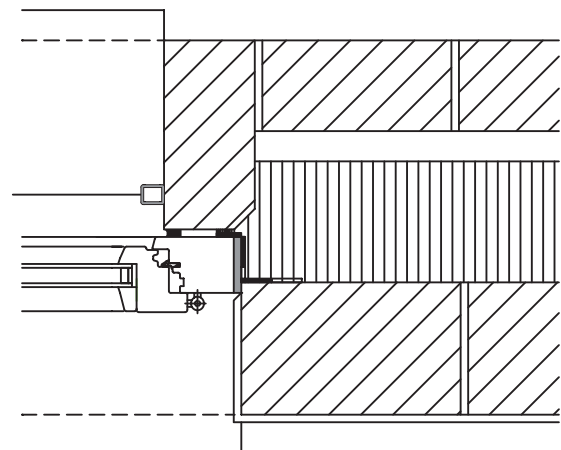
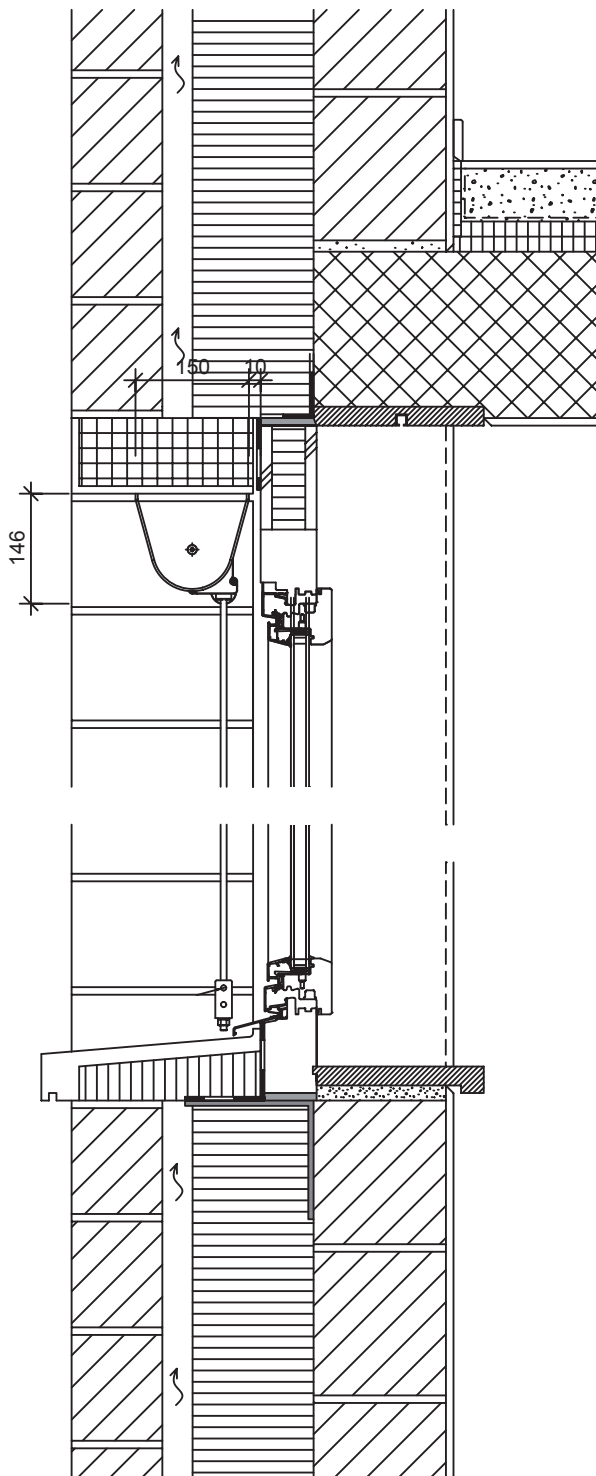
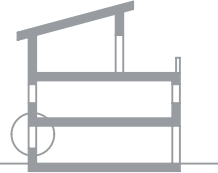


# STOBAG UNIVERSAL US3910

Vertical awning, Ceiling installation

## EXPOSED BRICK MASONRY DETAILED SECTION

SCL. 1:10  
PRODUCT UNIVERSAL  
ISSUED MARCH 2015 / FS





# STOBAG UNIVERSAL US3910

Vertical awning, Ceiling installation

## EXPOSED CONCRETE DETAILED SECTION

SCL. 1:10  
PRODUCT UNIVERSAL  
ISSUED MARCH 2015 / FS

